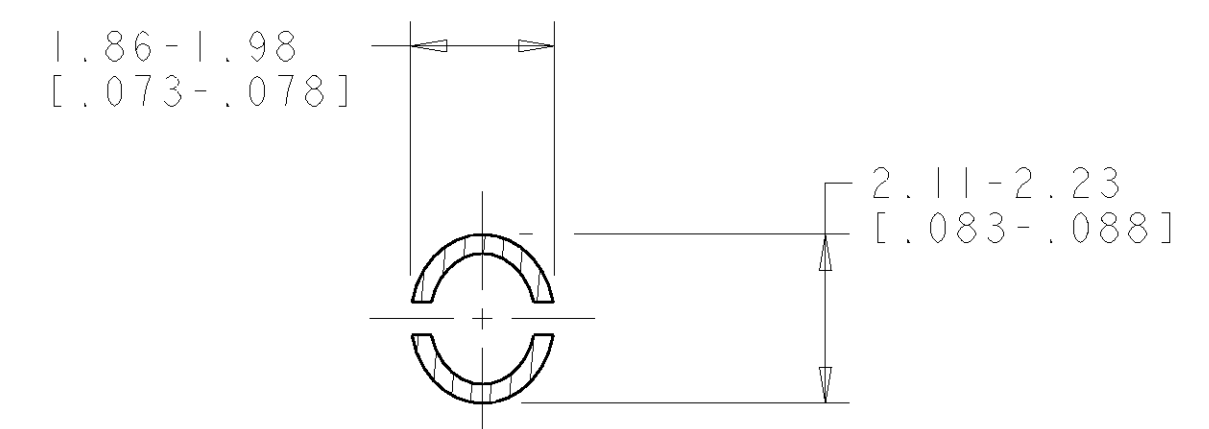
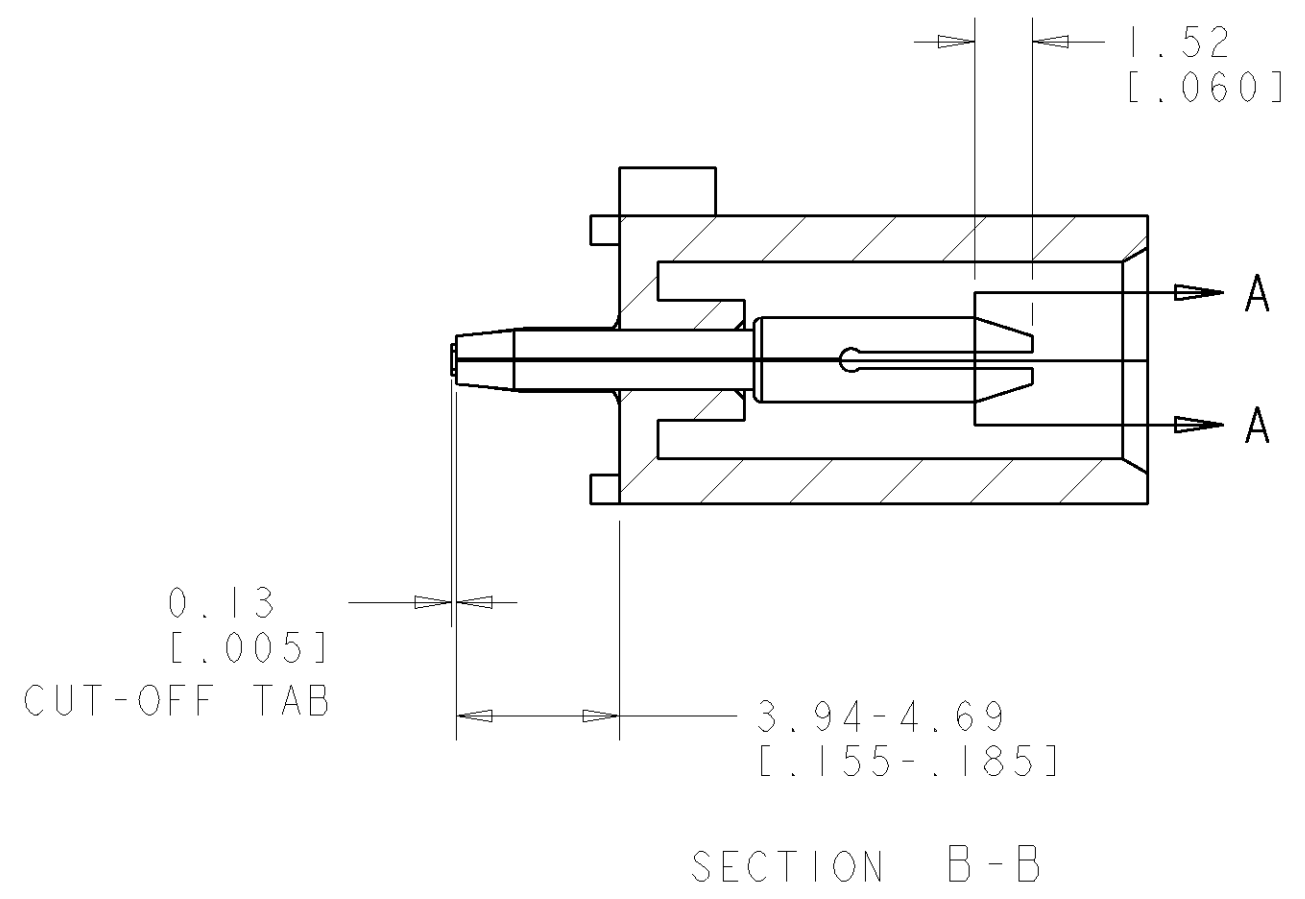
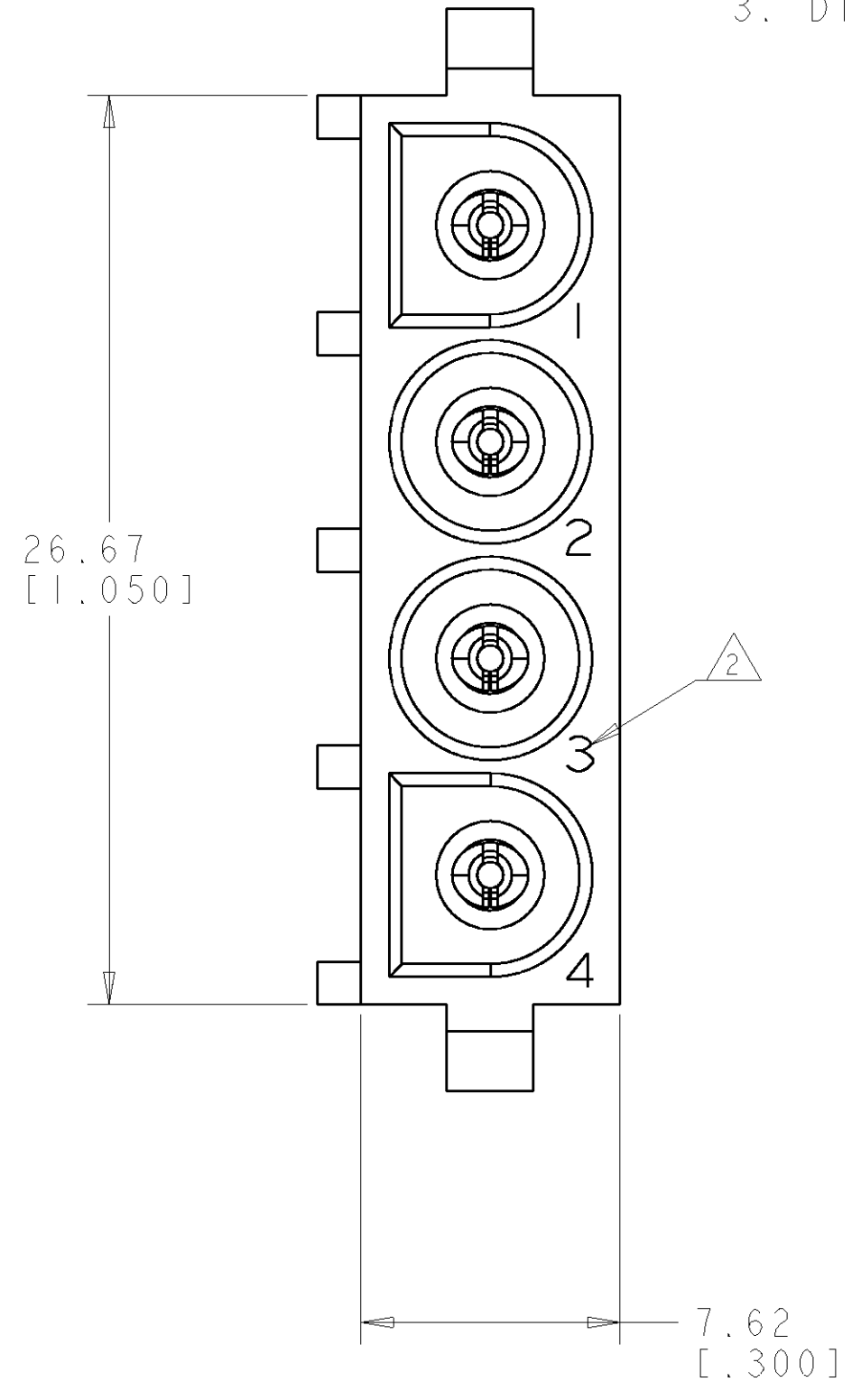
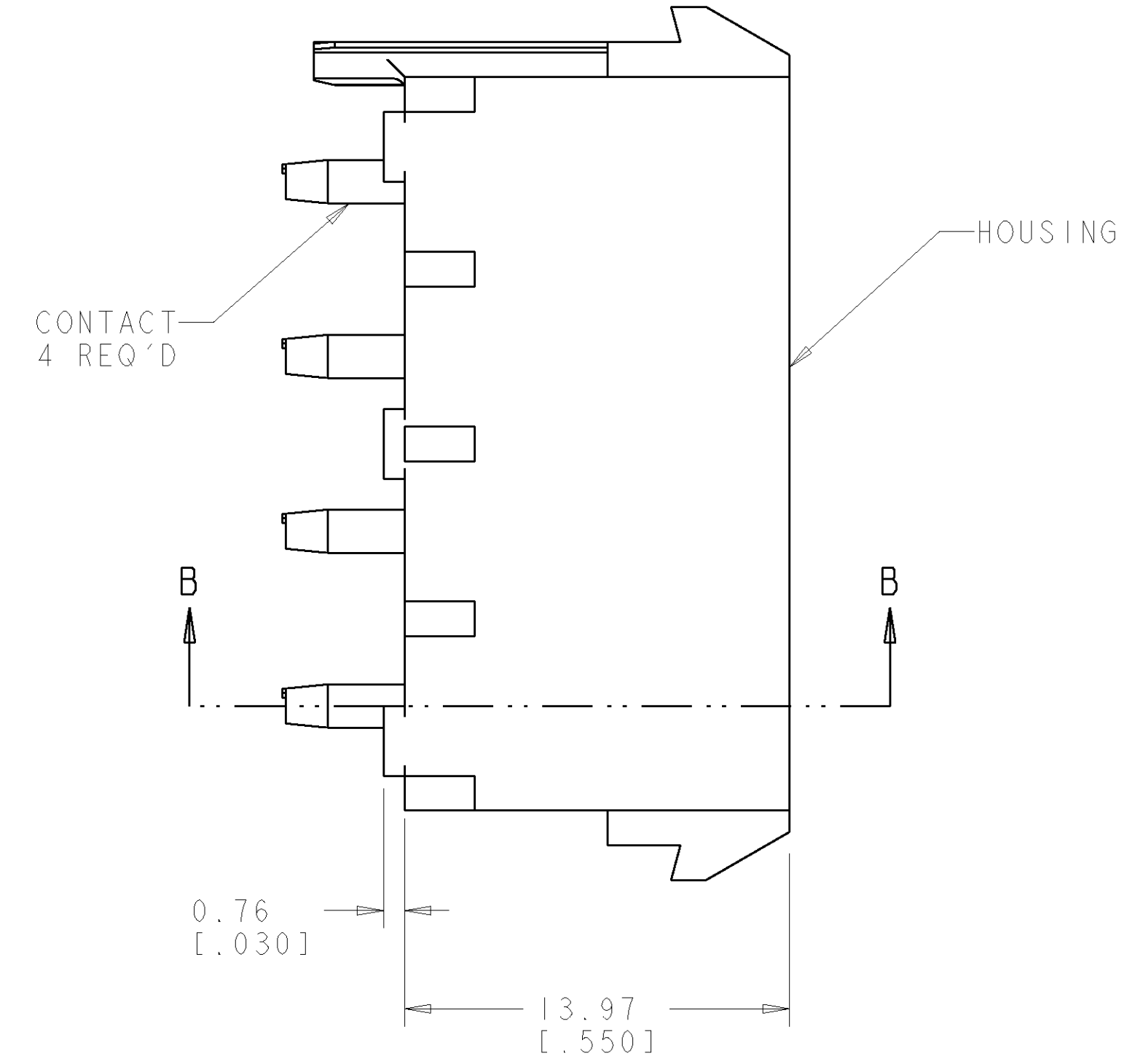
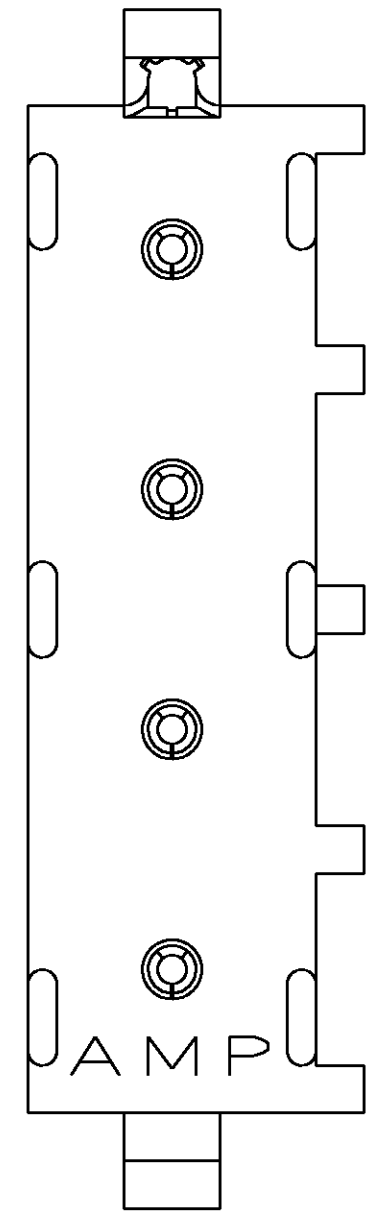
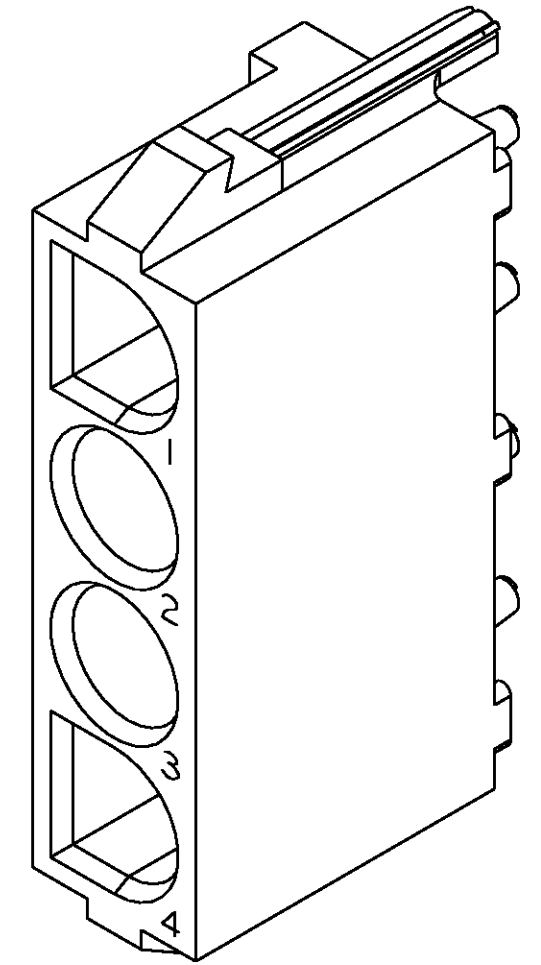


LOC		DIST		REVISIONS			
CM	00	P	LTR	DESCRIPTION	DATE	DWN	APVD
		A		RELEASED PER 0638-0647-03	07-AUG-03	KW	SR

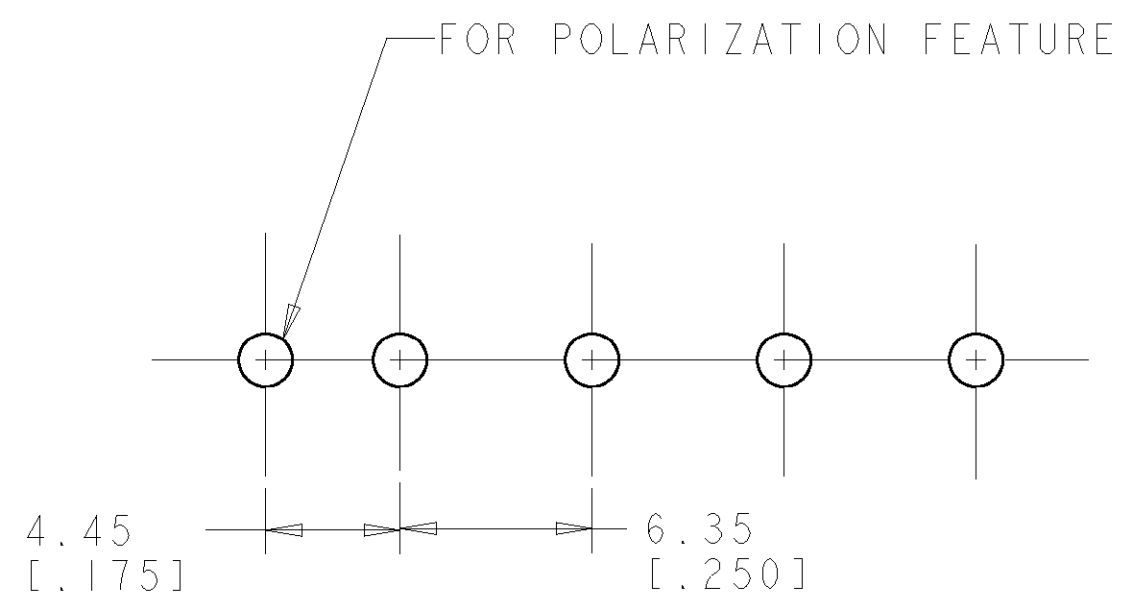
- PARTS COMPLY TO AMP SOLDERABILITY SPECIFICATION 109-11-3.
- CIRCUIT IDENTIFICATION CHARACTERS ARE ADJACENT TO THE INDICATED CAVITIES, BUT LOCATION AND ORIENTATION MAY DIFFER FROM PRINT.
- DIMENSIONS IN BRACKETS ARE IN INCHES.



SECTION A-A
SCALE 10:1

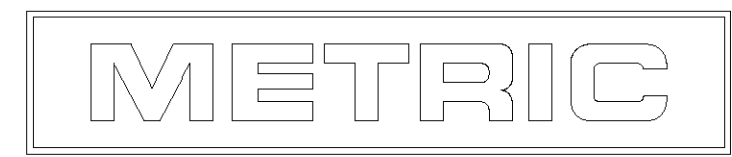


3 DIMENSIONAL MODEL
SCALE 4:1



RECOMMENDED MOUNTING HOLE PATTERN
FOR 1.57 [.062] THICK P.C. BOARD

PHOSPOR BRONZE, PRE-TIN PIN CONTACT MATERIAL AND FINISH	NYLON, UL94V-0, NATURAL HOUSING MATERIAL AND COLOR	1586086-1 PART NUMBER
--	---	--------------------------



DIMENSIONS: mm [INCHES]		TOLERANCES UNLESS OTHERWISE SPECIFIED:		DWN: 21-FEB-2003 ESK: 21-FEB-2003 S: RIDGILL APVD: 21-FEB-2003		Tyco Electronics Harrisburg, PA 17105-3608	
0 PLC ± 1 PLC ± 2 PLC ±0.13(.005) 3 PLC ± 4 PLC ±		± ± ± ±		NAME: S. RIDGILL PRODUCT SPEC: APPLICATION SPEC: WEIGHT:		PIN HEADER ASSEMBLY, POLARIZED, 4 CIRCUIT, UNIVERSAL MATE-N-LOK™	
MATERIAL: SEE TABLE		FINISH: SEE TABLE		SIZE: A1 CAGE CODE: 00779 DRAWING NO: C-1586086		RESTRICTED TO: SCALE: 4:1 SHEET 1 OF 1 REV A	